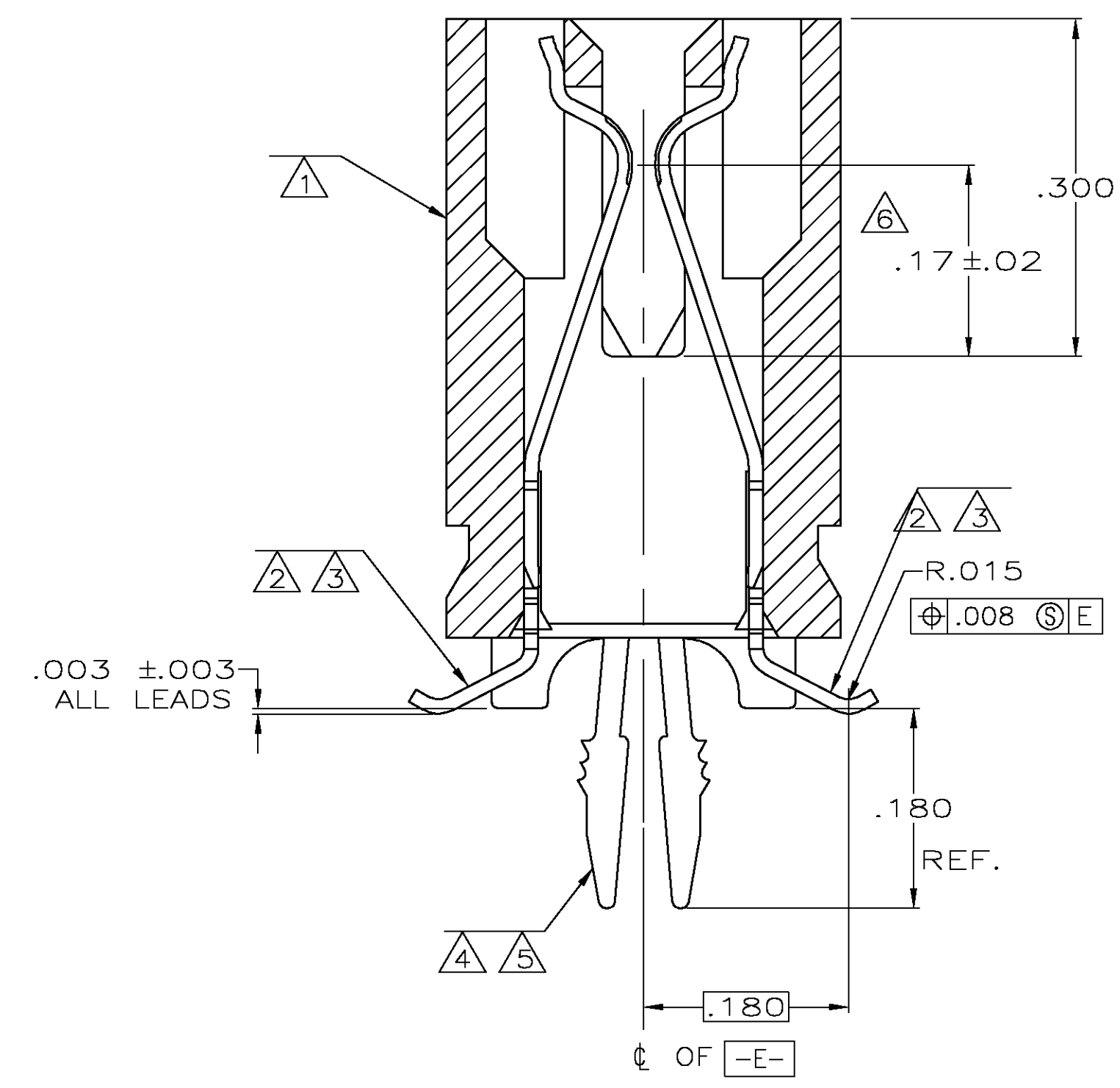
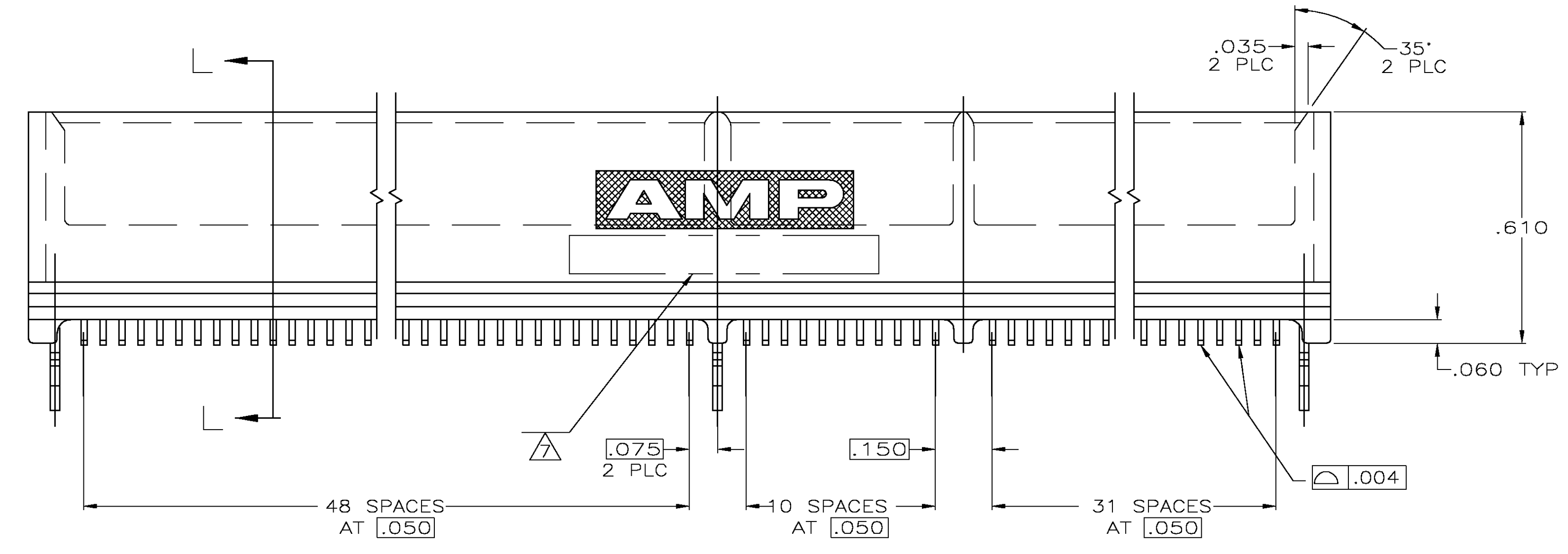
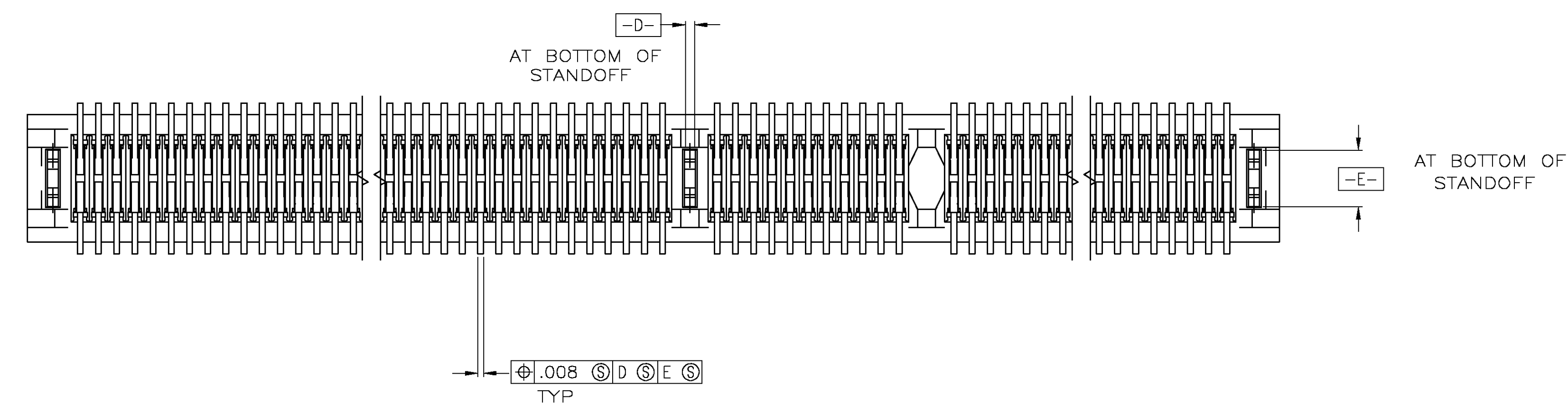


- ① HOUSING: HIGH TEMPERATURE THERMOPLASTIC.
- ② CONTACT: PHOSPHOR BRONZE.
- ③ CONTACT FINISH: .000100 MIN NICKEL ALL OVER, .000030 MIN GOLD OVER NICKEL IN CONTACT AREA, .000100 MIN MATTE TIN OVER NICKEL ON SOLDER TAILS.
- ④ METAL HOLD DOWN: BRASS
- ⑤ METAL HOLD DOWN FINISH: .000050 MIN NICKEL ALL OVER, .000150 MIN MATTE TIN ALL OVER.
- ⑥ DISTANCE FROM CONTACT POINT TO BOTTOM OF CARD SLOT.
- ⑦ AMP PART NUMBER, DATE CODE AND CSA LOGO MARKED IN APPROXIMATE AREA SHOWN.

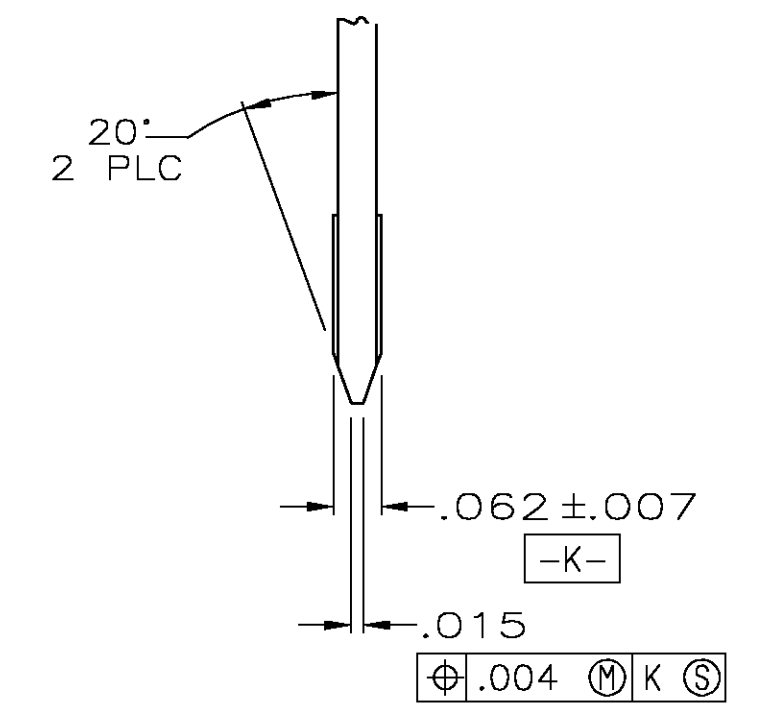
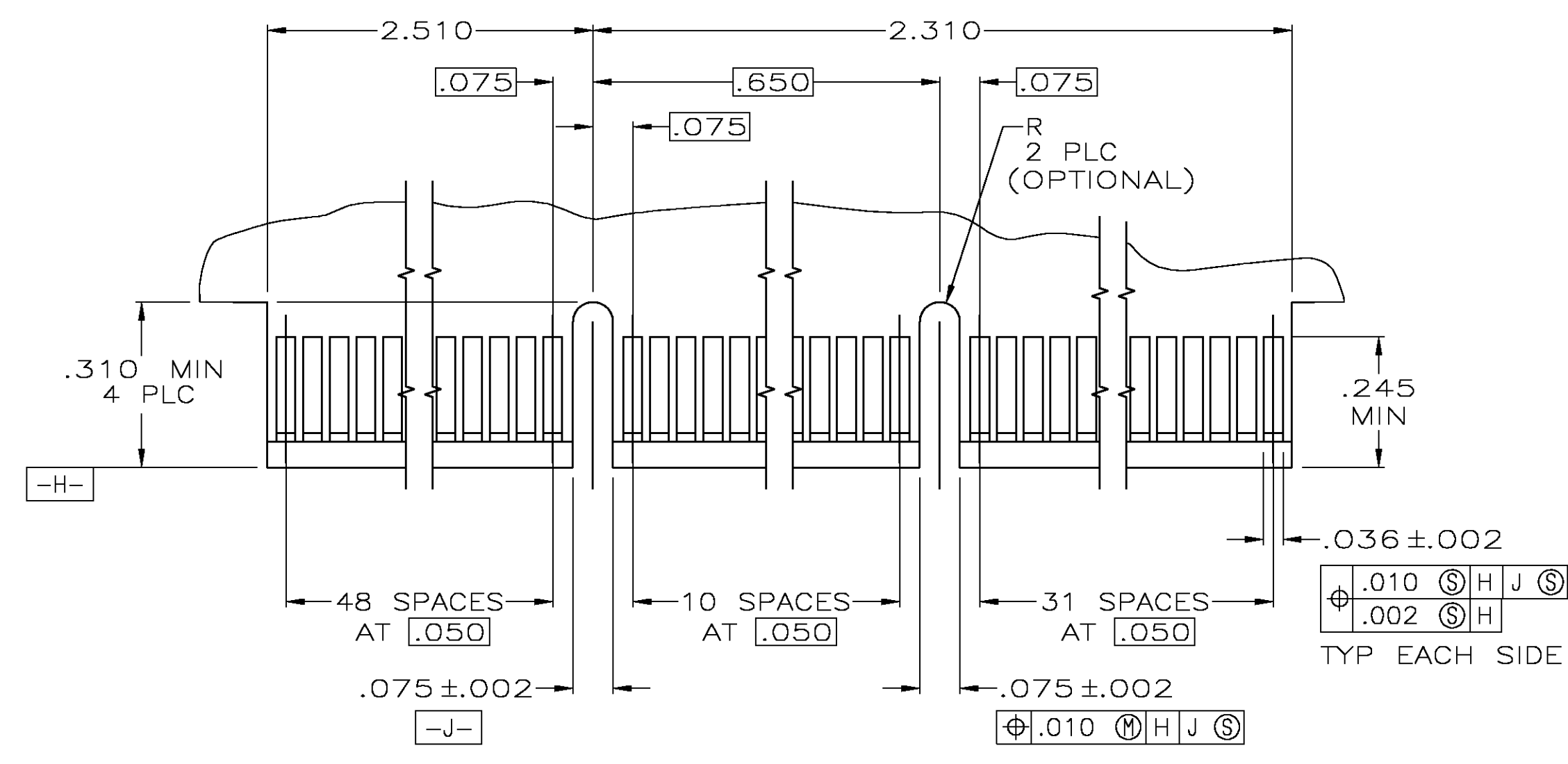


SECTION L-L  
SCALE 8:1

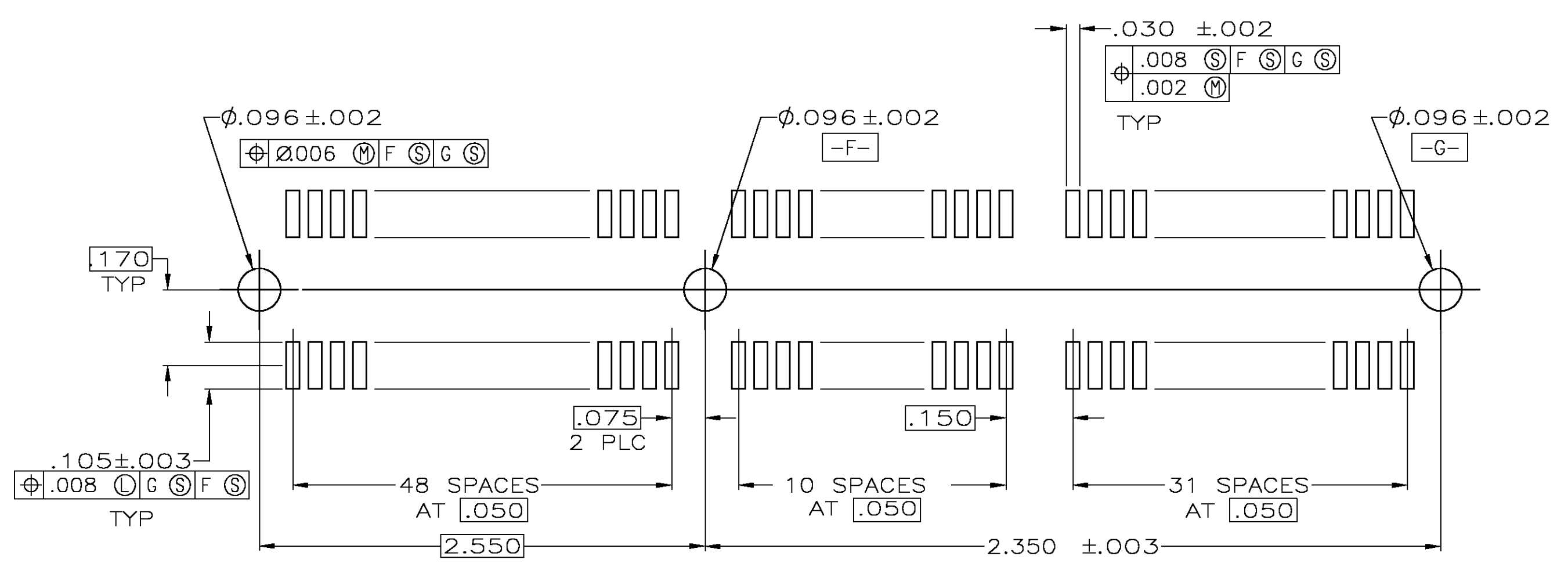


5145113-1 AS SHOWN

THIS DRAWING IS A CONTROLLED DOCUMENT.		DRN AL FRANTUM 23 JUN 05	 Tyco Electronics Corporation Harrisburg, Pa 17105-3608
DIMENSIONS: INCHES		CHK AL FRANTUM 23 JUN 05	
DIMENSIONS: INCHES 0 PLC ± - 1 PLC ± - 2 PLC ± .01 3 PLC ± .005 4 PLC ± - ANGLES ± 2 FINISH		PRODUCT SPEC 108-14034 APPLICATION SPEC 114-13148 WEIGHT -	NAME CONNECTOR ASSEMBLY, 92 DUAL POSITION, .050 SERIES, STANDARD EDGE SURFACE MOUNT SIZE CAGE CODE DRAWING NO. A1 00779 C=5145113 RESTRICTED TO -
MATERIAL 1/2/4		FINISH 3/5	CUSTOMER DRAWING SCALE 4:1 SHEET 1 OF 2 REV 0



RECOMMENDED MATING BOARD EDGE CONFIGURATION



RECOMMENDED CONNECTOR MOUNTING HOLE PATTERN  
(CONNECTOR SIDE SHOWN)

THIS DRAWING IS A CONTROLLED DOCUMENT.		DNV AL FRANTUM 23 JUN 05	 Tyco Electronics Corporation Harrisburg, Pa 17105-3608
DIMENSIONS: INCHES		CHK AL FRANTUM 23 JUN 05	
TOLERANCES UNLESS OTHERWISE SPECIFIED:		APVD	NAME
0 PLC ± - 1 PLC ± - 2 PLC ± .01 3 PLC ± .005 4 PLC ± - Z ANGLES ± - Z		PRODUCT SPEC 108-14034	CONNECTOR ASSEMBLY, 92 DUAL POSITION, .050 SERIES, STANDARD EDGE SURFACE MOUNT
MATERIAL SEE SHEET 1		FINISH SEE SHEET 1	RESTRICTED TO
CUSTOMER DRAWING		SCALE 4:1	REV 0